

Recessed LED spotlights

for indoor- and sheltered outdoor areas



Mounting instructions

of the LED recessed spotlights with LED power controller



Scope of delivery (for complete sets)

The installation instructions refer to complete sets of our outdoor LED spots



If the LED lighting is purchased as a complete set, this consists of the following contents.

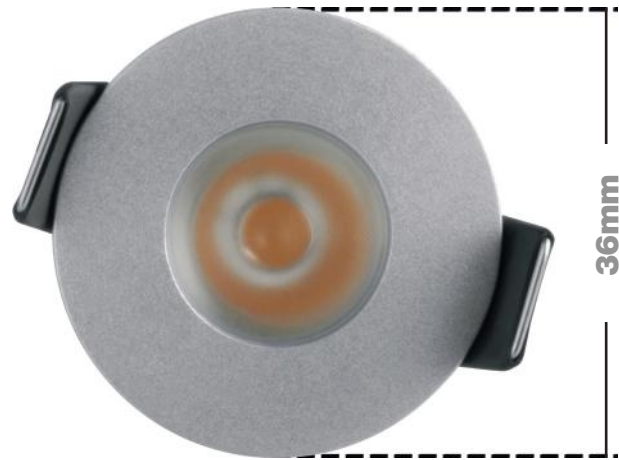
- 4 / 6 / 8 / 10 / 12 LED-recessed spotlights MINI type DR-SP3W optionally in anthracite grey (RAL 7016), silver or white
- Pre-assembled connection cables in 5 metre lengths (Number corresponds to the number of recessed spots in the set)
- 1 LED-Power-Controller 12 volts / 36 watts type DR-CON36W, with HUB for up to 12 LED spotlights and Schuko plug
The controller has a 2.4 GHz radio receiver
The controller has an electronic dimmer
- 1 Wireless remote control with a range of up to 30 metres
Battery-powered (2 x 1.5V AAA-Batteries required)

i NOTE

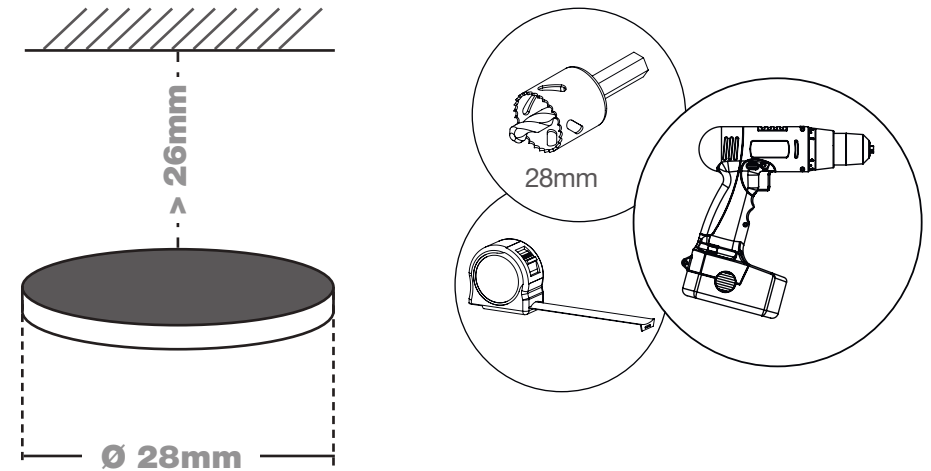
The installation instructions are also valid for individually purchased components. Please note that this only applies to the installation of **S-Polylight** DR-SP3W recessed spotlights in combination with the required **S-Polylight** DR-CON36W LED power controller.

Sets with less than 12 LED spotlights, can be extended with optional single spots up to a maximum of 12 recessed LED spotlights on a single LED power controller.

Dimensions



Hole drillings for mounting



To install the LED recessed spotlights in walls, ceilings or in the inner rafters of patio roofs (see page 6), Ø28 mm holes must be drilled at the desired positions, through which the connecting cable must also be routed.



FREE with every SET



Our 28 mm bi-metal hole saw impresses with its enormous stability thanks to the combination of HSS steel and cobalt-alloyed M42 steel. The progressive alternating saw tothing guarantees precise, clean holes in aluminium, wood, HPL, plastic and light metal.

Connection of the cable extension*

Connection of the LED spots

1



2



i NOTE

Steps 1 and 2 are only required in conjunction with the optional **S-Polylight** connection cable extension in order to extend the connection cable from 5 metres to 10 metres before it is laid. If no extension is required, continue with step 2 of these instructions.

i Extension cable if required, optionally available

3



4



i NOTE

After laying the connecting cable to the **S-Polylight** LED power controller, the LED spot can be connected using the screwable plug connection and inserted into the drilled hole.

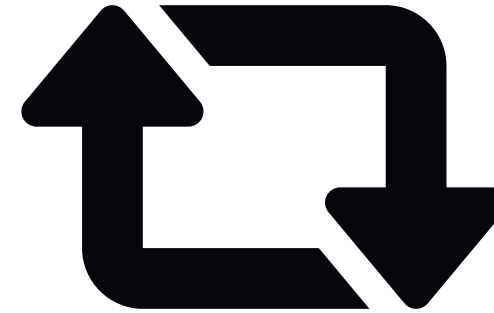
To do this, the cable plug is inserted into the spotlight's coupling and the screw connection with integrated rubber seal is tightened by hand.

Connection to the HUB



i NOTE

To connect the LED spotlights to the **S-Polylight** LED power controller, the white plug must be plugged into the power hub. This has 12 slots (6 on each side).



1 (3) - 6

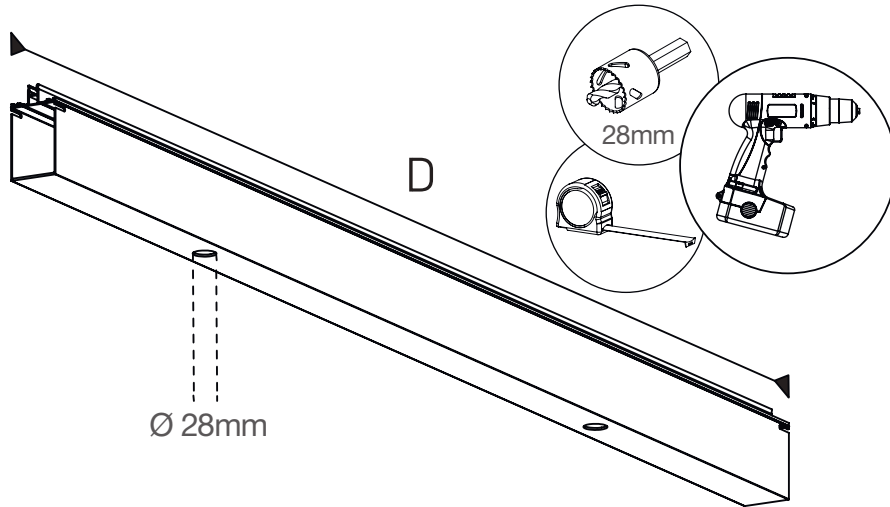
i NOTE

Repeat steps 1 to 6 for each individual recessed spotlight before continuing with the power supply by plugging in the mains plug and pairing the remote control as described on page 8.

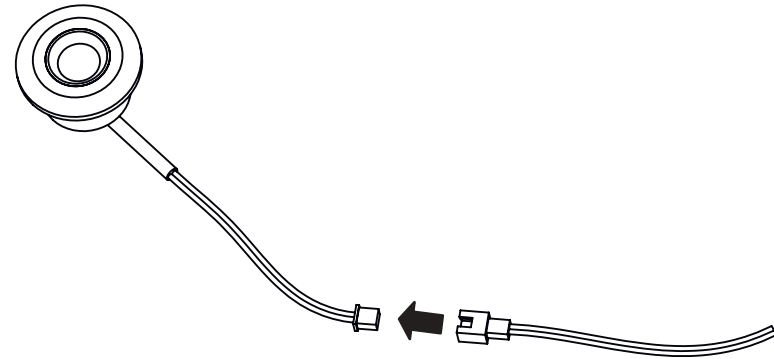
Mounting & connection

as lighting for a patio roof

1

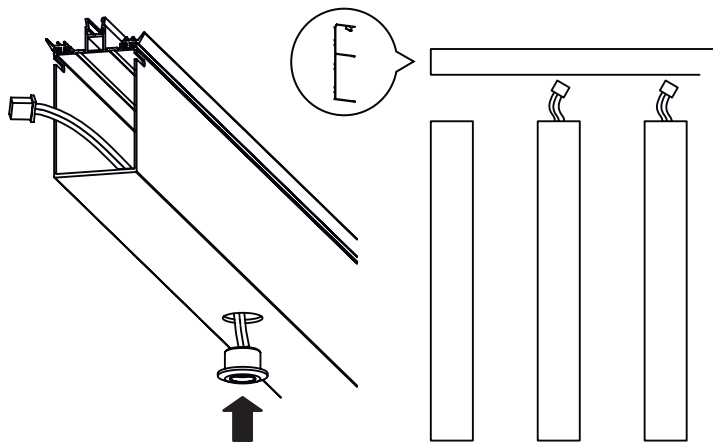


3

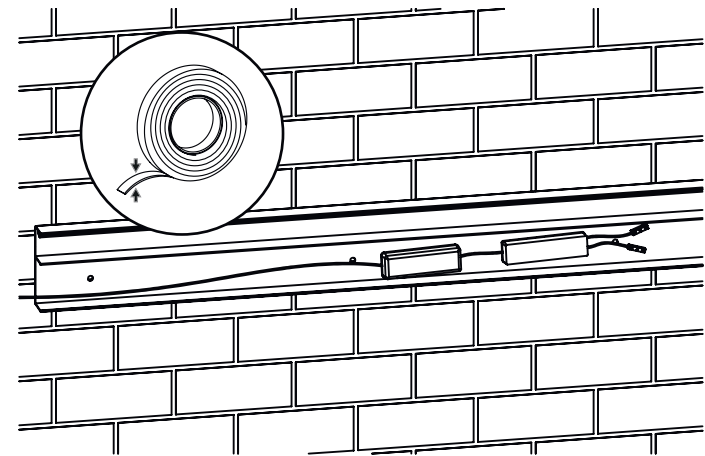


i Connection via screwable plug connector

2

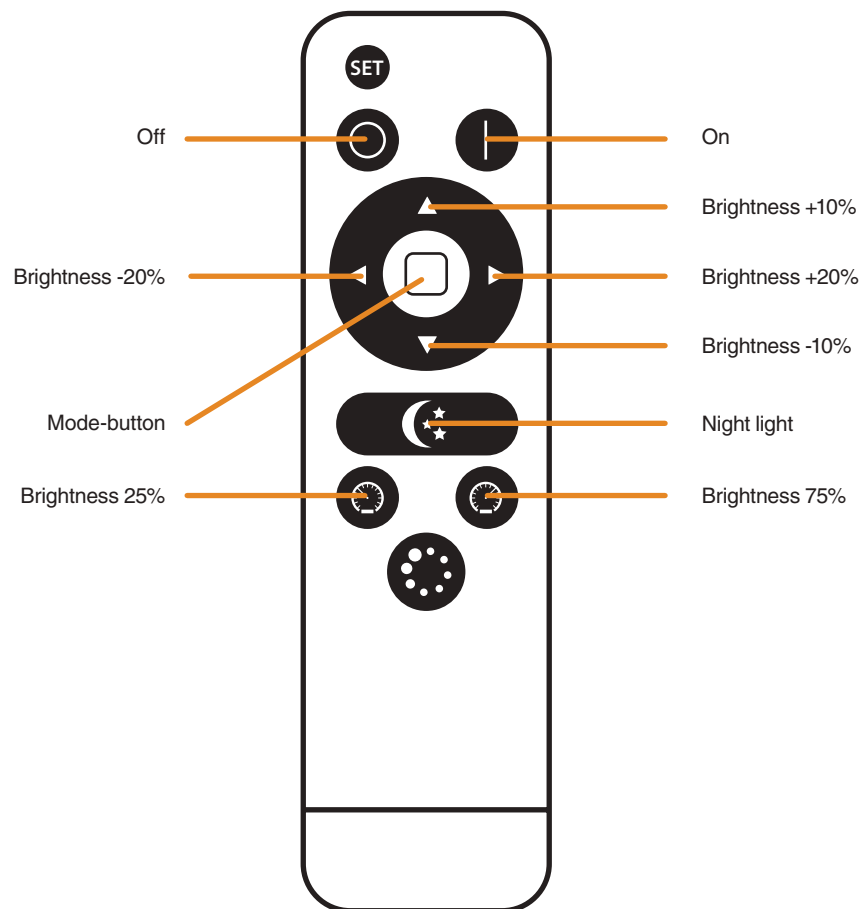


4



Button functions

Description of the buttons



Button	Description of function	
On		Switches on the lighting
Off	○	Switches off the lighting
Mode	□	Mode button for pairing / unpairing
Brightness +	▲	Increases the brightness gradually by 10%
Brightness -	▼	Reduces the brightness gradually by 10%
Brightness +	▶	Increases the brightness gradually by 20%
Brightness -	◀	Reduces the brightness gradually by 20%
Brightness	☾★	Night light mode with 15% brightness
Brightness	🕒	25% brightness
Brightness	🕒	75% brightness
SET		without function
	⋯	without functionn

Product features

- ✓ Battery powered 3V DC (2 x Typ AAA)
- ✓ 2.4 GHz RF wireless control
- ✓ Range up to 30m
- ✓ Easy coupling and decoupling at the touch of a button
- ✓ Can control several LED power controllers simultaneously
- ✓ Multiple remote controls possible on one system
- ✓ Compact, sturdy housing with soft-touch buttons
- ✓ Low power consumption

Pairing remote control

Decoupling remote control

The radio remote control can only be combined with our 2.4GHz S-Polylight LED power controller!

Pairing our wireless remote control with our 2.4 GHz LED power controller is very simple and takes place in three steps.

- Switch on the power supply to the lighting.
- Within 5 seconds, briefly press the mode button Ⓞ.
- The remote control is now paired with the power controller and can be used.

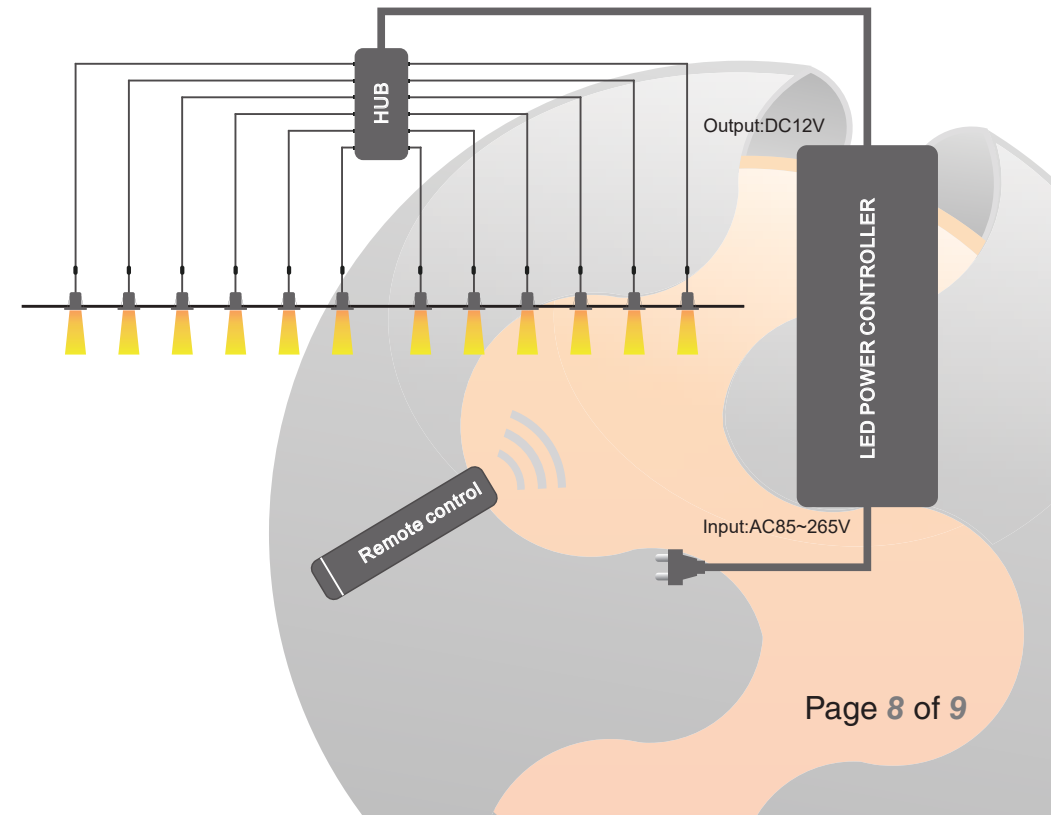
i NOTE

It is possible to use the remote control to control several S-Polylight LED power controllers at the same time. In this case, the power supply to all desired controllers must be switched on at the same time. By briefly pressing the mode button within 5 seconds, all controllers are linked to this remote control.

This means that all recessed LED spotlights can be switched on and off and dimmed with one remote control.

Unpairing the remote control from the 2.4 GHz LED power controller is just as easy as pairing and requires three steps.

- Check the power supply to the lighting and switch it on if necessary.
- Press the mode button for a few seconds within 5 seconds Ⓞ.
- The wireless remote control is now decoupled from the power controller.



We wish you much pleasure with you new
dimnable LED lighting

